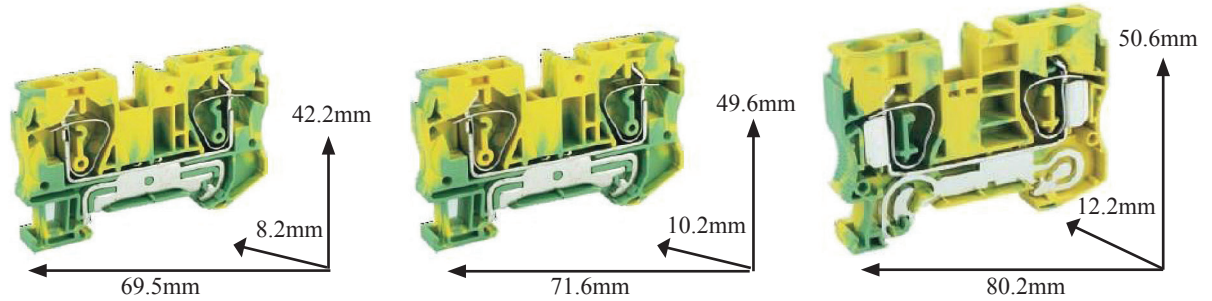


- Drop-in replacements to major manufacturers
- Wire range 24 to 4 AWG
- Single level, double level, multi-wire, ground and fuse terminal blocks available
- Material of housing: UL94V0 polyamide
- Multiple labeling options



Ordering Info			
Order #	ASI421014	ASI421015	ASI421016
Type	ASIUJ5-6JD	ASIUJ5-10JD	ASIUJ5-16JD
Description	Single Level Ground Terminal Block	Single Level Ground Terminal Block	Single Level Ground Terminal Block
Pkg Size	50 pcs	50 pcs	50 pcs
Specifications			
Wire Range (AWG)	24-8	24-6	24-4
Voltage Rating (V)			
Current Rating (A)			
Color	Green/Yellow	Green/Yellow	Green/Yellow
Accessories			
	Order #	Order #	Order #
End Cover	ASI422003	ASI422004	ASI422005
Labeling Strip	ASIZB810B, ASI424010	ASIZB1010B, ASI424010	ASIZB1010B, ASI424010
End Stop	ASIUD1B	ASIUD1B	ASIUD1B
DIN Rail 1-Meter 7.5 x 35mm slotted 7.5 x 35mm non-slotted	PR005-1M	PR005-1M	PR005-1M
	PR003-1M	PR003-1M	PR003-1M
DIN Rail 2-Meter 7.5 x 35mm slotted 7.5 x 35mm non-slotted	PR005	PR005	PR005
	PR003	PR003	PR003

